

PONY TRAILERS

Aluminum Smooth Sidewall Tri-Axle Pony Pups

We've been building trailers for 40 years. Our longevity has been fueled by our ability to meet customers demands and to foster a great work environment for our people. Our customers trust us to solve their problems and deliver a premium product.



SERIES 170SSP

STANDARD FEATURES

- Hendrickson Air Ride Suspension w/ 25,000 LB axle
- KGI Steer Axle with UBL Lift Kit
- P100A Lift Axle Control
- Reverse-O-matic
- Holland Landing Gear
- Air Flip Tarp
- Polished Sidewall Panels
- PPG™ Delfleet Essential primer & paint

OPTIONS

- IMT lift/steer axle(s)
- Release Agent Tank
- Aluminum wheels
- UHMW Liner
- Back-up alarm & strobe light(s)
- Hendrickson Intraax Suspension

ALUMINUM SMOOTH SIDEWALL TRI-AXLE PONY PUPS

170SSP — MODEL YEAR 2020



Air Flip Tarp



Sealed Tailgate



Optional Liner



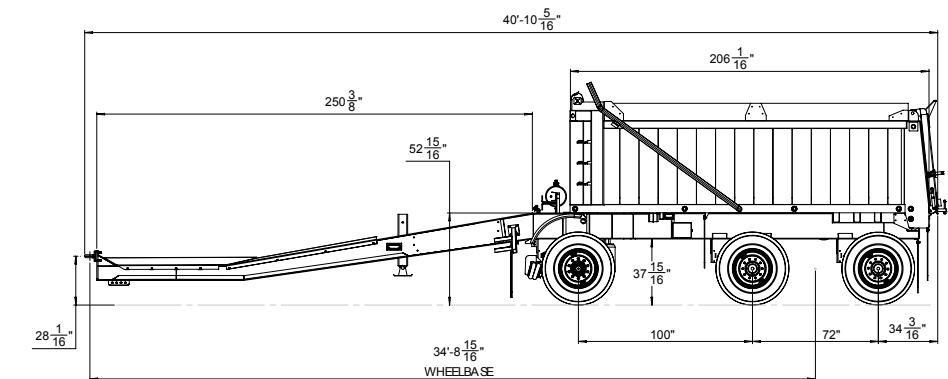
Release Tank

Lift / Steer Axle & Suspension Options	Included
KGI Steer axle, Hendrickson HT250TB 17-001 & UBL Lift, 77.5" Axle Track	Yes
Electronic Control Unit	Included
P100A - Reverse will Lift Axle, Auto Sensing Lift-Steer Axle	Yes
Tires	Included
22.5 (std)	Yes
Continental HSC1 11R22.5	Yes
Inner Wheels	Included
White Steel	Yes
Outer Wheels	Included
White Steel	Yes
Flaps	Included
Full Flap Package (4x in Front of First Axle, 4x Behind Third Axle) (std)	Yes
Tarp Options	Included
Air Flip Tarp	Yes

Body Finish	Included
Body Panels Polished	Yes
Front Fenders	Included
1/4 Half Moon Stainless Fenders	Yes
ABS System	Included
Meritor Wabco 4S/2M ABS System, 4005001030	Yes
Lighting & Electrical	Included
LED Standard Lighting Package	Yes
Back Up Light - 5" center of rear bumper	Yes

Coupler	Included
P300 Bolt on Pintle Eye - Adjustable	Yes
1/2" Grade 70 Transport Chain with 1/2" hooks	Yes
Sidewall Height	Included
48" Sidewall	Yes
Landing Gear Options	Included
Landing Gear Leg (std), Holland Landing Gear, Drivers Side	Yes
Hoist / Drive Options	Included
7" 4-Stage 157" Hyva Hoist (std)	Yes
Axle Spacing & Configuration	Included
Front 100" 72"	Yes
Primary Suspension Options	Included
Hendrickson HT300TB-17-003 Suspension w/ 25K axle, 77.5" Track	Yes

Optional Accessories	Included
Tires — Various Brands Available	
Release Agent Tank	
Hendrickson Intraax	
Aluminum Wheels	





SERIES 170SSP

Vehicle Weights and Dimensions for Safe, Productive and Infrastructure-Friendly Vehicles

An Ontario wide standard for commercial vehicles designed to further increase highway safety, improve commercial vehicle productivity, and reduce road/bridge damage caused by heavy vehicles. SPIF regulations define the way any truck that was purchased from July 1, 2011 – onward has to be built to get maximum pay load in Ontario.



GINCOR WERX
BLENHEIM ONTARIO
1 Solvay Drive
Blenheim, ON
N0P 1A0
Phone: (519) 676-7900
Fax: (519) 676-9918



www.gincor.com